



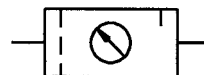
**Service unit, 2-piece**

Size 0

**823**  
G 1/8

**824**  
G 1/4

0.5 to 10 bar



**Characteristics**

Type	823 K	824 K
Port	G 1/8	G 1/4
Pressure gauge port	G 1/8	
Type of construction	- Centrifugal filter - Sintered filter element - Diaphragm pressure regulator with self-relieving design - Proportional lubricator	
Input pressure p <sub>1</sub>	Max. 16 bar with plastic bowl Max. 25 bar with metal bowl	
Control range p <sub>2</sub>	0.5 to 10 bar	
Mounting position	Vertical, drain valve at bottom	
Mounting type	Bracket on regulator, hole Ø30.5	
Medium temperature	Max. 60°C (other temperature	
Ambient temperature	Max. 60°C ranges on request)	
Filter rating	40 µm, 5 µm (standard)	
Bowl capacity	<b>Filter:</b> Max. 16 cm <sup>3</sup> condensate <b>Oil-mist lubricator:</b> 17 cm <sup>3</sup>	
Condensate drain	Manual Semi-automatic on request	
Weight [g]	500	

**Ordering information**

Type & port Options

8XX X  
824 K

Order example:

Port	
823	G 1/8
824	G 1/4
Options	
K	Plastic bowl
M	Metal bowl

**Description**

- Standard design
- Pressure setting can be locked by pushing the knob down
- **Independent of inlet pressure**
- Pressure gauge Ø40 included
- Filter rating acc. to ISO 4003, glass bead test
- Oil can be filled under pressure

**Materials**

Part	Material
Head piece (body)	Z 410
Spring bonnet	POM-brass
Diaphragm	NBR-brass
Pressure spring	Galvanised steel
Valve cone	NBR-brass
Valve seat	PA-NBR
Counter-pressure spring	Stainless steel
O-ring 30 x 2	NBR
Filter element 40 µm	Bronze
Condensate bowl	Polycarbonate
Air deflector	ABS
Filter holder	PA
Oil bowl	Polycarbonate
Oil fill plug	Brass-NBR
Sight dome	PA
Sight dome -metal	Zinc-glass-NBR

**Recommended oil**

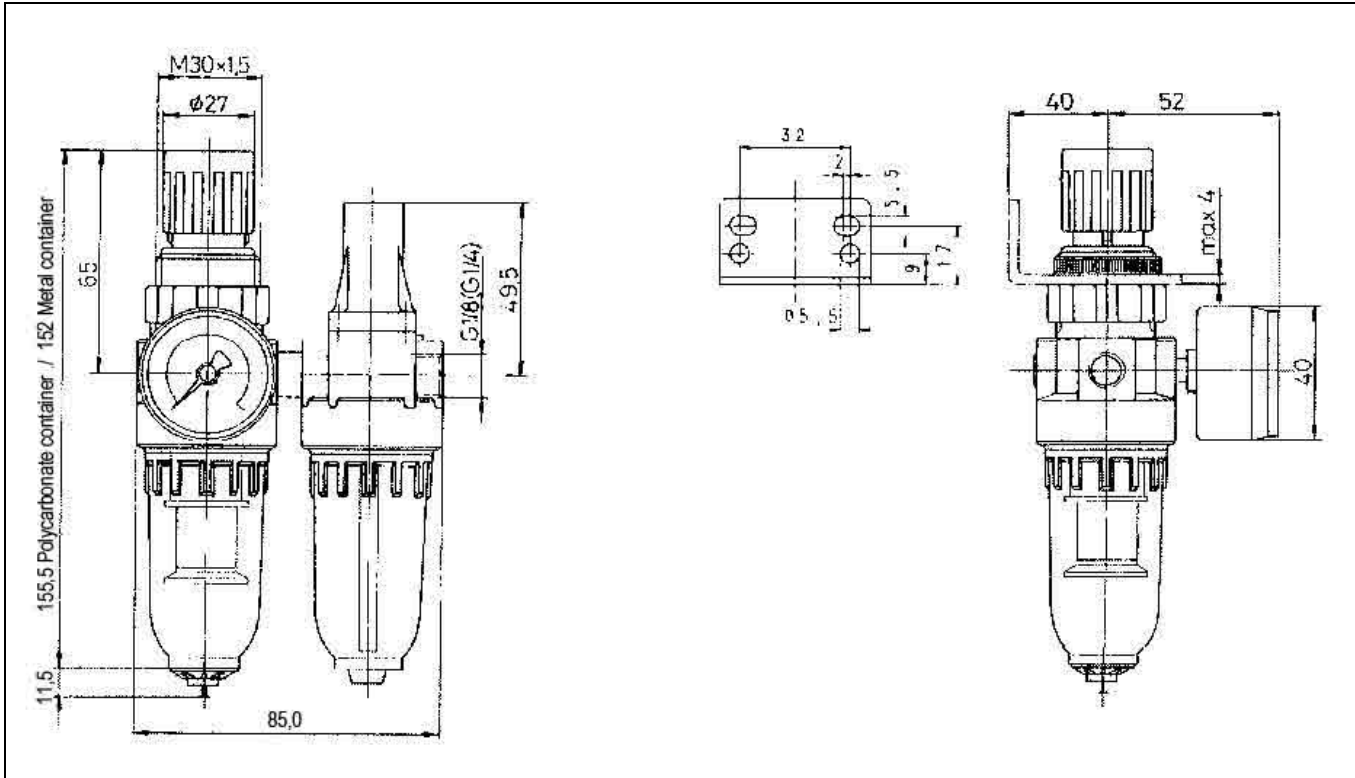
**Special pneumatic oil 32**

Viscosity at 40°C: 32 cSt [mm<sup>2</sup>/s]  
 Temperature range: -35 to +85°C

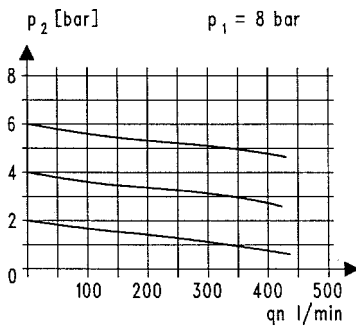
Oil bowls made of plastic (polycarbonate) are corroded by additives, anti-freeze agents and synthetic oils. We therefore recommend using mineral oils from approx. 22 to 32 cSt or up to 68 cSt in conjunction with impact tools.

Metal bowls and metal sight domes should be used for all other oil grades as well as anti-freeze agents.

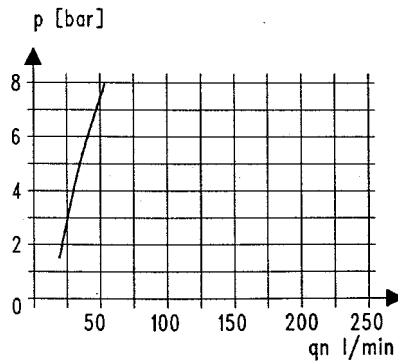
Dimensions [mm]



Flow characteristic

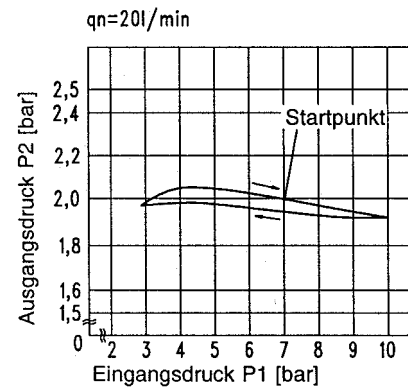


Lubricator operating limit



Hysteresis

Hysteresis of  $p_2$  as a function of rising (falling)  $p_1$  at a constant draw-off rate  $Q_N$  20 l/min  
Basic setting (starting point):  $p_1$ : 7.0 bar  
 $p_2$ : 2.0 bar



Flow rates

Flow rates at  $p_1 = 8$  bar

Output pressure $p_2 =$ [bar]		6
Nominal flow ( $\Delta p = 1$ bar)	QN m <sup>3</sup> /h l/min	21 350

Accessories

Designation	Order No.
Mounting bracket with nut R 11-55	MV 30
Metal bowl (filter)	640/11
Metal bowl (lubricator)	740/11
Plastic bowl (filter)	640/1
Plastic bowl (lubricator)	740/01
Plastic bowl with automatic drain (filter)	KS 11 F-A
Automatic drain	655.6.900

Main spare parts

Part	Part No.
→ Set of wearing parts	22.501.4
Sight dome (polycarbonate)	760.7.990
Sight dome (metal)	760.7.992
Assembly adapter for metal	760.7.1135
Sight dome	
Filter element 5 $\mu$ m	611.6.905
Filter element 40 $\mu$ m	640.6.940
Pr. gauge $\phi 40$ , G1/8	
0 to 10 bar	110.46-KD
0 to 16 bar	110.47-KD

© Riegler 5-8