



FU 71108

Pressure regulator

Standard type

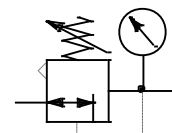
Size 4

FU 7181 to FU 71116

G 3/4

G 1

0.1 to 1.0 bar
0.1 to 2.0 bar
0.2 to 4.0 bar
0.5 to 8.0 bar
0.5 to 10.0 bar
0.5 to 16.0 bar



Description

Pressure regulator in the »FUTURA« series.

Pressure regulating valves facilitate a fine pressure setting and guarantee a constant supply with the required working pressure.

Part of the modular »FUTURA« series.

"KP300" or "WK 103" joiner set for seamless integration with other devices.

The regulators should only be used with filtered media (filter rating 50 µm).

Characteristics

Type	FU 7181 to FU 7196	FU 71101 to FU 71116
Port (thread)	G 3/4	G 1
Type of construction	- Diaphragm pressure regulator with self-relieving design	
Medium	Compressed air, neutral gases	
Mounting position	Any	
Temperature Medium / ambient	Max. 50 °C	
Input pressure Pin	Max. 16 bar	
Control range (output pressure)	0.1 to 1.0 bar / 0.1 to 2.0 bar / 0.2 to 4.0 bar / 0.5 to 8.0 bar / 0.5 to 10.0 bar / 0.5 to 16.0 bar	
Internal air consumption	Max. 1.5 l/min (depending on secondary pressure)	
Mounting type	Bracket, wall mounting, panel mounting	
Weight [kg]	0.997 without pressure gauge / 1.098 with pressure gauge	

Materials

Part	Material
Spring bonnet / adjusting knob	POM
Head piece	PA66 GF60
Diaphragm	Brass-NBR-PA6
Valve cone	NBR-PA6
O-ring 55x2.5	NBR
Cover (bottom screw)	POM
Threaded plate	Die-cast zinc

Ordering information

- The pressure regulating valves are delivered in single packs.
- Pressure gauge included.
- Can be locked with an "SS 32" padlock (accessory).

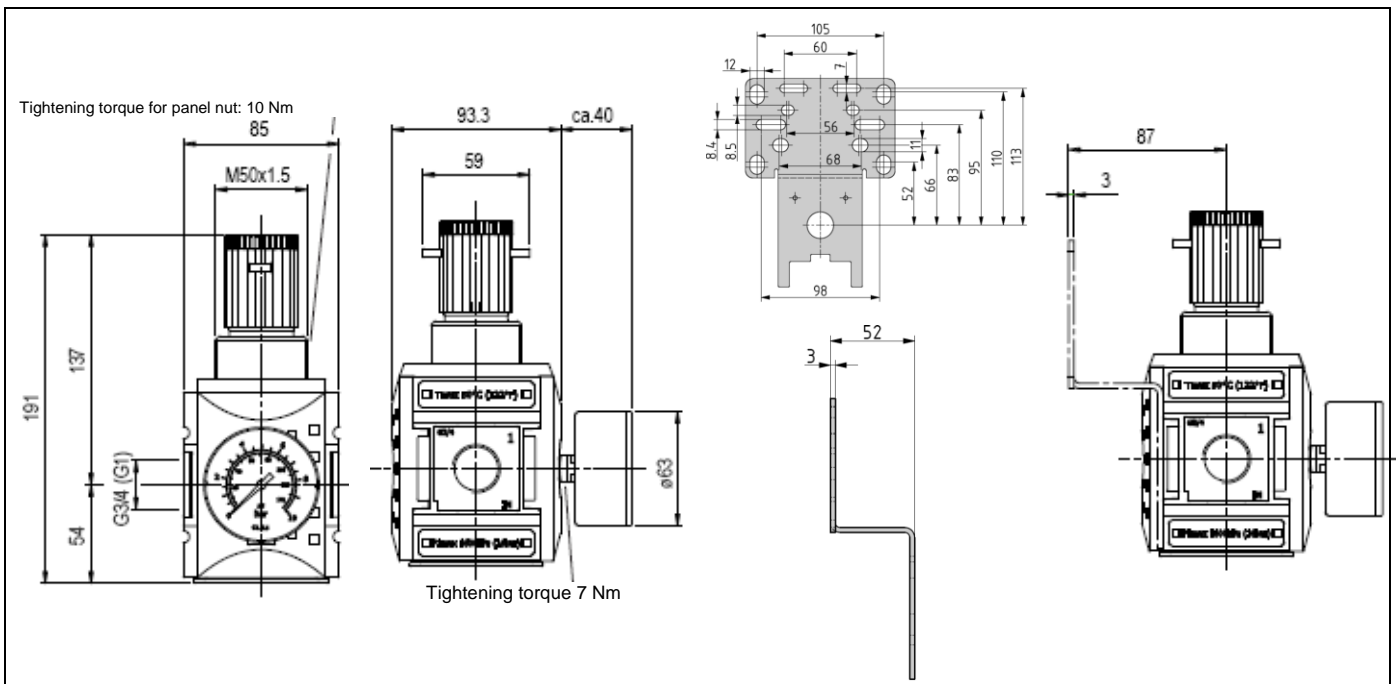
Accessories / Spare parts

Designation	Art. No.
Mounting bracket, incl. screws	H 854
Joiner set with wall bracket	WK 103
Joiner set	KP 300
Panel nut	R 33-55
Key lock	SS 32

Accessories / Spare parts

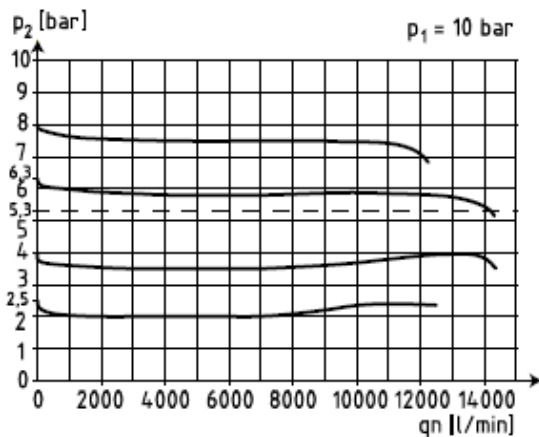
Designation	Art. No.
Seal kit	22.711104
Wall bracket with connection thread G 3/4	WK 104-34
Wall bracket with connection thread G 1	WK 104-1

Dimensions



Flow rates

Flow characteristic



Hysteresis

