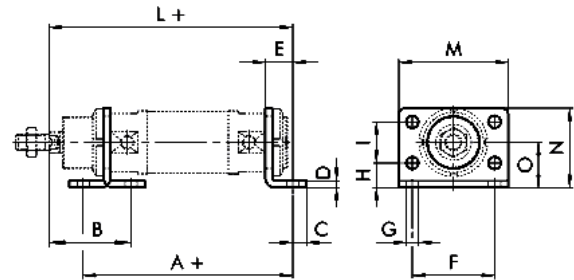


**Fixing parts and accessories**
**Round cylinders Ø 32 to Ø 50**
**Foot**
**Material = steel**
**Dimensions [mm]**

Type No.	Art. No.	Ø	A	B	C	D	E	F	G	H	I	L	M	N	O	Weight [g]
436.11-M	105880	32	124	50	7	4	14	52	7	14	28	150	66	49	28	104
436.12-M	105881	40	153	60	10	5	20	60	9	18	30	178	80	58	33	190
436.13-M	105882	50	160	64	10	6	20	70	9	20	40	190	90	70	40	296



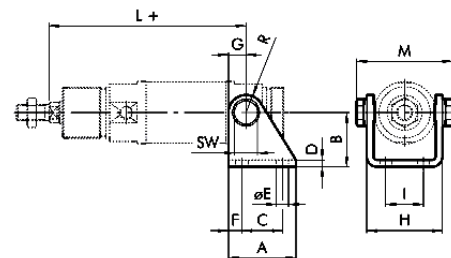
+ = ADD THE STROKE


**Counter-hinge model**
**Material = steel**
**Dimensions [mm]**

Type No.	Art. No.	Ø	A	B	C	D	E	F	G	H	I	L	M	R	a/f	Weight [g]
436.21-M	105893	32	40	35	24	4	7	8	12	46.1	20	127	60	12	13	152
436.22-M	105894	40	50	40	30	5	9	10	13	56.1	28	146	72.5	13	17	262
436.23-M	105895	50	54	45	34	6	9	10	14	69.1	36	158	89	14	19	401



+ = ADD THE STROKE



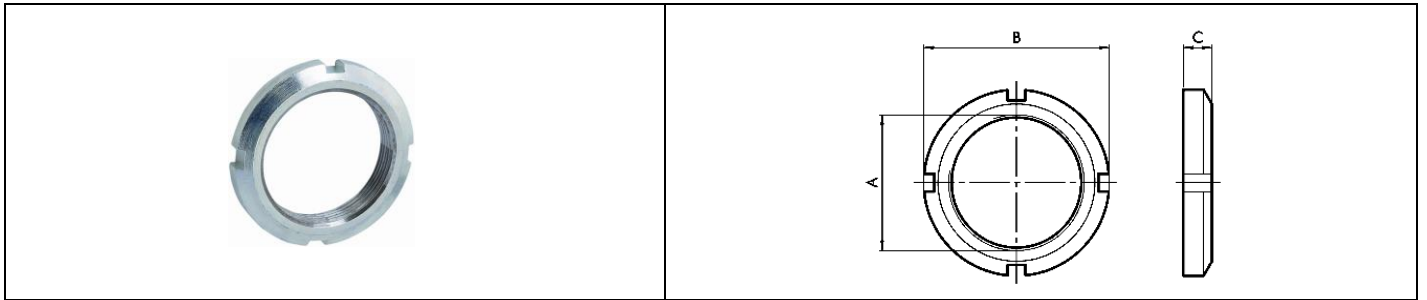
## Fixing parts and accessories

### Round cylinders Ø 32 to Ø 50

#### Head nut for cover / base

##### Dimensions [mm]

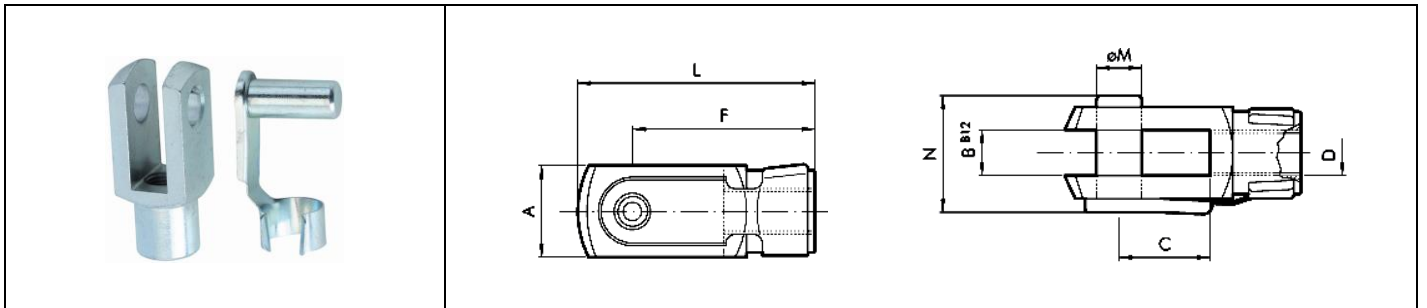
Type No.	Art. No.	Piston Ø	A	B	C	Material	Weight [g]
436.51-M	105883	32	M30x1.5	45	7	Steel	46
436.52-M	105884	40	M38x1.5	50	8	Steel	56
436.53-M	105885	50	M45x1.5	58	9	Steel	126



#### Fork

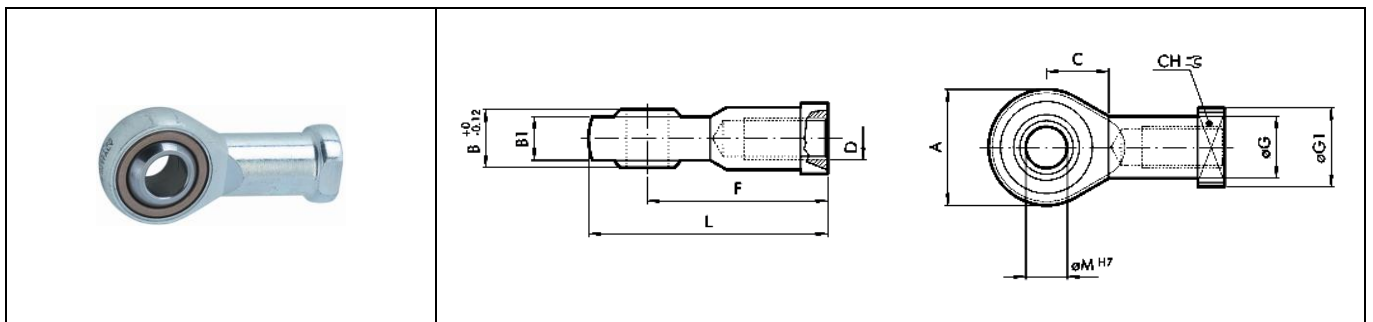
##### Dimensions [mm]

Type No.	Art. No.	Piston Ø	ØM	C	B	A	L	F	D	N	Weight [g]
450.51-M	105741	32	10	20	10	20	52	40	M10x1.25	26	92
450.52-M	105886	40	12	24	12	24	62	48	M12x1.25	32	148
450.53-M	105887	50	16	32	16	32	83	64	M16x1.5	40	340

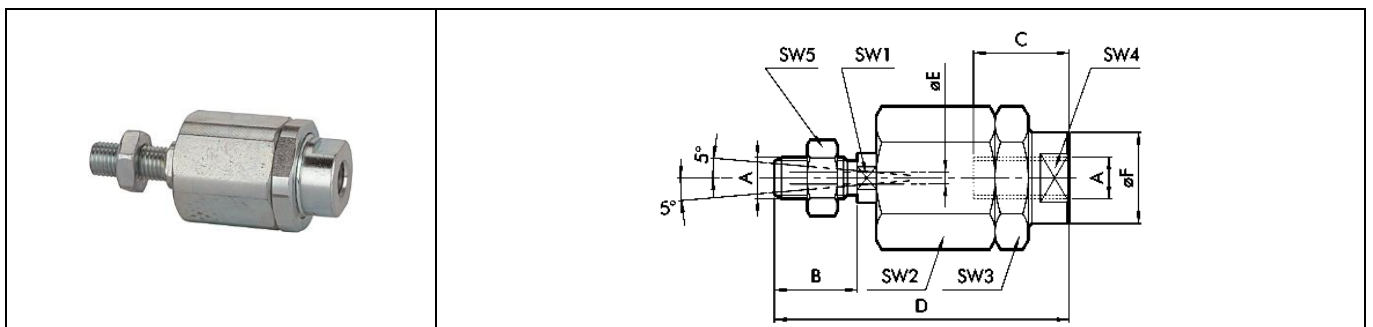


**Fixing parts and accessories**
**Round cylinders Ø 32 to Ø 50**
**Rod eye**
**Dimensions [mm]**

Type No.	Art. No.	Piston Ø	ØM	C	B1	B	A	L	F	D	ØG	CH	ØG1	Weight [g]
450.410-M	105744	32	10	15	10.5	14	28	57	43	M10x1.25	15	17	19	78
450.420-M	105888	40	12	17	12.0	16	32	66	50	M12x1.25	17.5	19	19	116
450.430-M	105889	50	16	22	15.0	21	42	85	64	M16x1.5	22	22	22	226


**Compensating coupling**
**Dimensions [mm]**

Type No.	Art. No.	Piston Ø	A	B	C	D	ØE	ØF	a/f 1	a/f 2	a/f 3	a/f 4	a/f 5	Weight [g]
450.101-M	105890	32	M10x1.25	20	20	71	4	22	12	30	30	19	17	216
450.102-M	105891	40	M12x1.25	24	20	75	4	22	12	30	30	19	19	220
450.103-M	105892	50	M16x1.5	32	32	103	4	32	20	41	41	30	24	620



**Fixing parts and accessories**

**Round cylinders Ø 32 to Ø 50**

**Sensors**

**Dimensions [mm]**

Type No.	Art. No.	Piston Ø	Designation
235.03-M	105748	32 - 50	DSL reed sensor, 2-wire, NO, 2.5 m
235.04-M	105749	32 - 50	DSL reed sensor, 2-wire, NO, 300 mm, M8 plug

235.03-M

235.04-M

**Sensor support**

**Dimensions [mm]**

Type No.	Art. No.	Piston Ø	Material
435.168-M	105747	32 - 50	Tightening strap = stainless steel, Sensor holder = plastic

**Fixing parts and accessories**
**Round cylinders Ø 8 to Ø 25**
**Sensor for T-slot**
**Dimensions [mm]**

Type No.	Art. No.	Piston Ø	Designation
235.06-M	105750	8 - 25	HALL sensor, 3-wire, with 2.5 m cable length
235.07-M	105751	8 - 25	HALL sensor, 3-wire, with M8 plug (3-pin)

