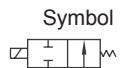




»Brass type

MV 1521–MV 1534, MVH 1521–MVH 1534



Product features

- The valves do not require a minimum working pressure.
- The valves can be mounted in any position with no functional restrictions.
- The high-quality materials which are used for the valves and a series of extensive tests guarantee a long service life.
- The solenoid valves are in line with international standards.

Valve's specification

| Acting | Direct acting | | | | |
|------------------------------------|-----------------------------------|-------|-------------------|-------------------|---------|
| Initial status | Normally opened | | | | |
| Adaptable fluid | Air, Water, Oil | | | | |
| Viscosity limit | Under 20 CST (mm ² /s) | | | | |
| Ambient and fluid temperature (°C) | | Water | Air | Oil | Ambient |
| | Max. | 80 | 90 | 80 | 70 |
| | Min. | 1 | -20 ¹⁾ | -10 ²⁾ | -20 |

¹⁾Dew point: -20 (°C) or less;

²⁾50 CST or less.

Specifications / Technical data

| Art. No. | Power type | Port size | Nominal width (mm) | Cv | Weight (g) | Max. operating pressure difference | | Proof pressure | |
|----------|-----------------|-----------|--------------------|------|------------|------------------------------------|-----|----------------|-----|
| | | | | | | bar | psi | bar | psi |
| MV 1521 | 230 V AC, 50 Hz | 1/8" | 3.0 | 0.33 | 315 | 7 | 100 | 30 | 450 |
| MV 1522 | | 1/4" | | | | | | | |
| MV 1523 | | 3/8" | 5.0 | 0.83 | 635 | 7 | 100 | | |
| MV 1524 | | 1/2" | | | | | | | |
| MVH 1521 | | 1/8" | 1.5 | 0.10 | 315 | 20 | 300 | | |
| MVH 1522 | | 1/4" | | | | | | | |
| MVH 1523 | | 3/8" | 3.0 | 0.34 | 635 | 20 | 300 | | |
| MVH 1524 | | 1/2" | | | | | | | |
| MV 1531 | 24 V DC | 1/8" | 3.0 | 0.33 | 315 | 7 | 100 | | |
| MV 1532 | | 1/4" | | | | | | | |
| MV 1533 | | 3/8" | 5.0 | 0.83 | 635 | 7 | 100 | | |
| MV 1534 | | 1/2" | | | | | | | |
| MVH 1531 | | 1/8" | 1.5 | 0.10 | 315 | 20 | 300 | | |
| MVH 1532 | | 1/4" | | | | | | | |
| MVH 1533 | | 3/8" | 3.0 | 0.34 | 635 | 20 | 300 | | |
| MVH 1534 | | 1/2" | | | | | | | |

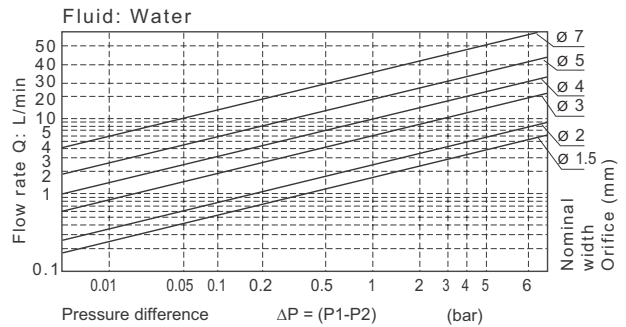
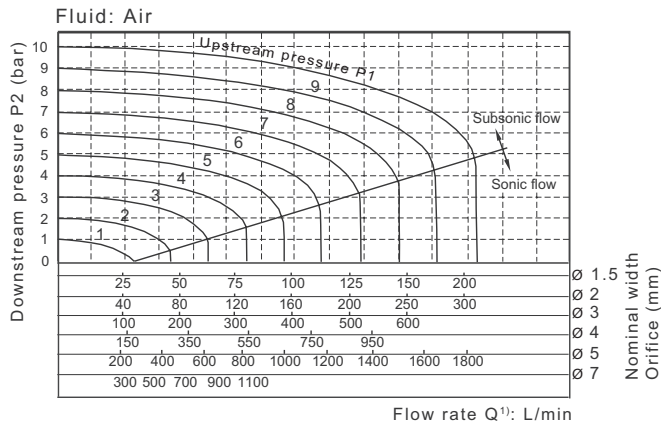
Ordering information

| Art. No. | Type |
|-------------------|--------------------------------------------------------------------------|
| MV 1521–MV 1524 | Normally open, (NO), directly operated, 230 V, 50 Hz, standard type |
| MVH 1521–MVH 1524 | Normally open, (NO), directly operated, 230 V, 50 Hz, for high pressures |
| MV 1531–MV 1534 | Normally open, (NO), directly operated, 24 V DC, standard type |
| MVH 1531–MVH 1534 | Normally open, (NO), directly operated, 24 V DC, for high pressures |

»Brass type

MV 1521–MV 1534, MVH 1521–MVH 1534

Flow chart



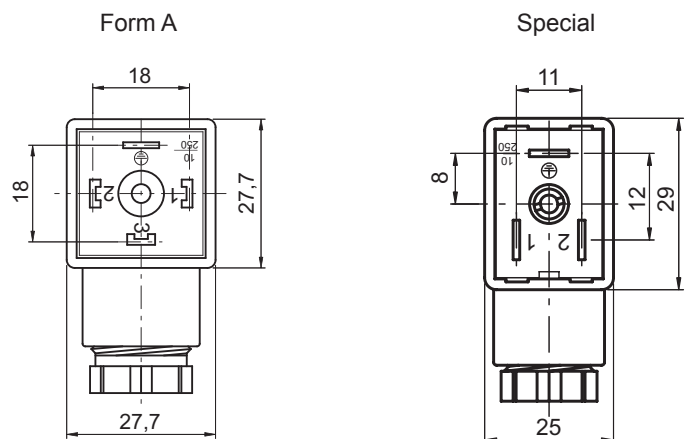
¹⁾ Flow rates are based on standard conditions (temperature 20 °C, ambient pressure 1013 mbar, relative air humidity 65%)

Specification of coil

| Valve size | Coil type | Power type ¹⁾ | Frequency (Hz) ¹⁾ | Voltage range | Electrical entry | Power consumption (VA/W) | Insulation/protection | Temp. rise (°C) |
|----------------|-----------|--------------------------|------------------------------|---------------|------------------|--------------------------|-----------------------|-----------------|
| G 1/8", G 1/4" | CDA116 | 230 V AC | 50 | ±15% | Terminal (CDA) | 15.0 VA | Class B IP65 | 50 |
| | | 24 V DC | - | ±10% | | 6.5 W | | 30 |
| G 3/8", G 1/2" | CDA170 | 230 V AC | 50 | ±15% | | 35.0 VA | | 65 |
| | | 24 V DC | - | ±10% | | 10.5 W | | 40 |

¹⁾ Other voltage or frequency on request.

| Art. No. | Connector socket |
|----------|-----------------------------|
| MV 1521 | Special (similar to form B) |
| MV 1522 | Special (similar to form B) |
| MV 1523 | Form A acc. to ISO 4400 |
| MV 1524 | Form A acc. to ISO 4400 |
| MVH 1521 | Special (similar to form B) |
| MVH 1522 | Special (similar to form B) |
| MVH 1523 | Form A acc. to ISO 4400 |
| MVH 1524 | Form A acc. to ISO 4400 |
| MV 1531 | Special (similar to form B) |
| MV 1532 | Special (similar to form B) |
| MV 1533 | Form A acc. to ISO 4400 |
| MV 1534 | Form A acc. to ISO 4400 |
| MVH 1531 | Special (similar to form B) |
| MVH 1532 | Special (similar to form B) |
| MVH 1533 | Form A acc. to ISO 4400 |
| MVH 1534 | Form A acc. to ISO 4400 |

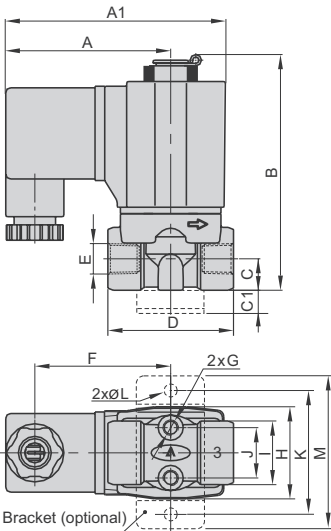


»Brass type

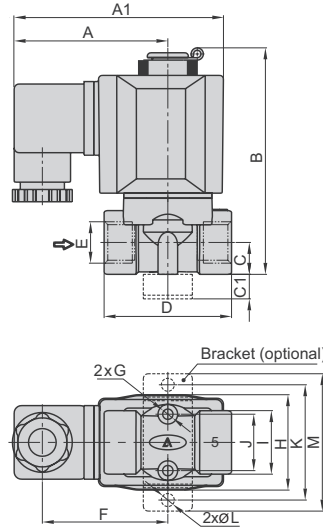
MV 1521–MV 1534, MVH 1521–MVH 1534

Dimensions

G 1/8", G 1/4"



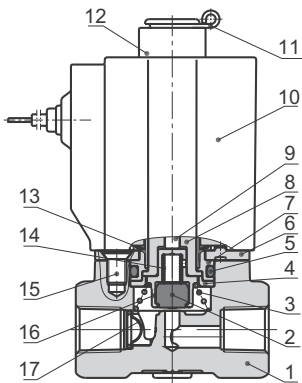
G 3/8", G 1/2"



| Valve size | A | A1 | B | C | C1 | D | E | F | G | H | I | J | K | L | M |
|------------|------|----|----|----|----|----|------|------|----|------|------|----|----|-----|----|
| G 1/8" | 52.5 | 70 | 76 | 10 | 10 | 40 | 1/8" | 43.3 | M5 | 29.3 | 20.2 | 16 | 40 | 5.3 | 49 |
| G 1/4" | 52.5 | 70 | 76 | 10 | 10 | 40 | 1/4" | 43.3 | M5 | 29.3 | 20.2 | 16 | 40 | 5.3 | 49 |
| G 3/8" | 62.7 | 85 | 92 | 13 | 10 | 52 | 3/8" | 51.2 | M5 | 39 | 26 | 23 | 48 | 5.3 | 56 |
| G 1/2" | 62.7 | 85 | 92 | 13 | 10 | 52 | 1/2" | 51.2 | M5 | 39 | 26 | 23 | 48 | 5.3 | 56 |

(Values in mm, exception valve size, E = inch)

Components and materials



| No. | Item | Material |
|-----|-----------------|-----------------|
| 1 | Body | Brass |
| 2 | Gasket | FPM |
| 3 | Spring | Stainless steel |
| 4 | Flange | Stainless steel |
| 5 | O-ring | FPM |
| 6 | Fixed plate | Steel |
| 7 | Fixed cap | Stainless steel |
| 8 | Electromagnet | Stainless steel |
| 9 | Control pin | Stainless steel |
| 10 | Coil | |
| 11 | Clip | Steel |
| 12 | Distance collet | Aluminium |
| 13 | Spring washer | Steel |
| 14 | Spring | Stainless steel |
| 15 | Screw | Steel |
| 16 | Sealing tappet | Stainless steel |
| 17 | Filter | Stainless steel |
| - | Plug | Plastic |