

**Siphons for pressure gauges acc. to DIN 16282**

- U-shaped to fit horizontal pressure tap

Order No.		
Material	With <b>male connector</b> on pressure tap side	With <b>welded connection</b> on pressure tap side
Steel	<b>9072</b>	<b>9074</b>
CrNi steel	<b>9073</b>	<b>9075</b>

**Description**

- **Surface:**
  - Phosphatised steel
  - Stainless steel, bare metal
- **Applications:**
  - Liquids, gases and vapours

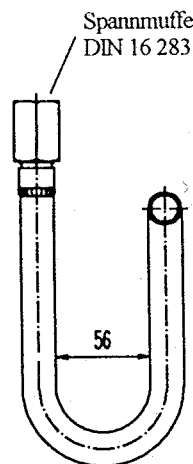
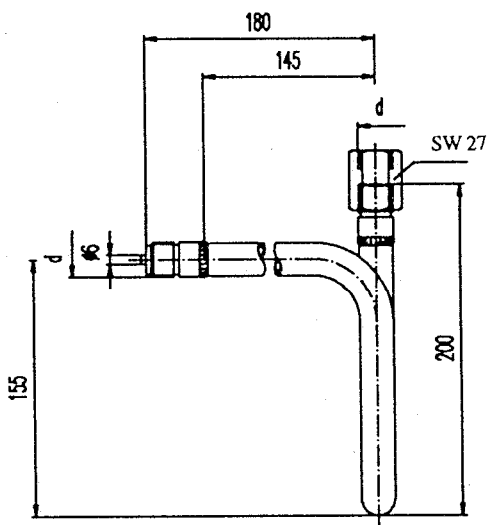
**Type**

Thread d	Material	Max. operating pressure [bar]	Max. operating temperature upstream of siphon °C	Components
G 1/2	Steel 1.0039 1.0345	160	120	Pipe 20 x 2.6 mm
		120	300	
		104	400	
G 1/2	CrNi steel 1.4571	160	120	Male connector Female connector acc. to DIN 16283
		140	300	
		131	400	

**Dimensions [mm]**

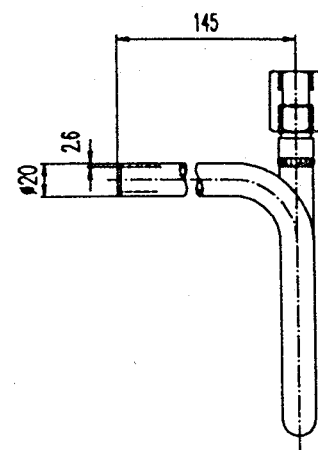
**Type A (similar to DIN 16282)**

With male connector on pressure tap side



**Type B**

With welded connection on pressure tap side



**Siphons for pressure gauges acc. to DIN 16282**

- Circular to fit vertical pressure tap

**Description**

- **Surface:**
  - Phosphatised steel
  - Stainless steel, bare metal
- **Applications:**
  - Liquids, gases and vapours

Order No.		
	With <b>male connector</b> on pressure tap side	With <b>welded connection</b> on pressure tap side
<b>Steel</b>	<b>9082</b>	<b>9084</b>
<b>CrNi steel</b>	<b>9083</b>	<b>9085</b>

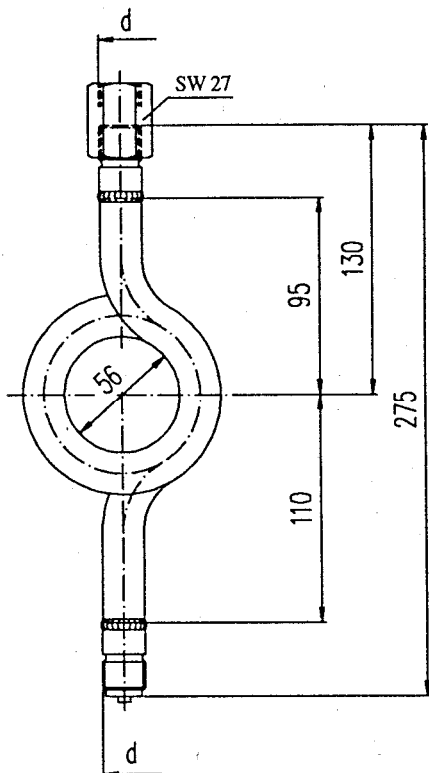
**Type**

Thread d	Material	Max. operating pressure [bar]	Max. operating temperature upstream of siphon °C	Components
G 1/2	Steel 1.0039 1.0345	160	120	Pipe 20 x 2.6 mm
		120	300	
		104	400	
G 1/2	CrNi steel 1.4571	160	120	Male connector Female connector acc. to DIN 16283
		140	300	
		131	400	

**Dimensions [mm]**

**Type C (similar to DIN 16282)**

With male connector on pressure tap side



**Type D**

With welded connection on pressure tap side

