

## 2/2-way coaxial valve Pneumatically controlled

PN 10

Double-acting,  
valve air-actuated at both ends

**351.911 to 351.927**

**Rp 3/8 to Rp 2**

### Ordering data

### Description

- Special shut-off device for automated industrial plant engineering
- Extremely compact type of construction
- 100 % passage
- No moving external parts (reduced risk of accidents)
- Signal switch can be supplied (on request)
- Directly mountable control valve
- Choice of three sealing materials for a wide range of applications

Type No. – Art. No.	Thread	DN
<b>NBR</b>		
351.911 - 103723	Rp 3/8	10
351.912 - 103724	Rp 1/2	15
351.913 - 103725	Rp 3/4	20
351.914 - 103726	Rp 1	25
351.915 - 133388	Rp 1 1/4	32
351.916 - 133389	Rp 1 1/2	40
351.917 - 133390	Rp 2	50
<b>FKM</b>		
351.921 - 103727	Rp 3/8	10
351.922 - 103728	Rp 1/2	15
351.923 - 103729	Rp 3/4	20
351.924 - 103730	Rp 1	25
351.925 - 133391	Rp 1 1/4	32
351.926 - 133392	Rp 1 1/2	40
351.927 - 133393	Rp 2	50
<b>EPDM</b>		
On request		

### Characteristics

Type of actuation	Air-actuated at <b>both ends</b>
Connection	Rp 3/8 to Rp 2 socket ( <b>standard</b> )
Type of construction	Piston valve (special piston design for 100 % passage)
Nominal width	10 – 50 mm
Mounting position	Any
Rated pressure of ball valve DN 10 to DN 50	<b>10 bar</b>
Control pressure (actuator)	3.0 to max. 8.0 bar
Control medium	Filtered, dry compressed air
Operating temperature	-20 °C to +80 °C
- NBR	-20 °C to +150 °C ( <b>not</b> for vapour)
- FKM	-20 °C to +150 °C ( <b>for vapour</b> )
- EPDM	-20 °C to +150 °C ( <b>for vapour</b> )
Flow direction	Any
Flow media	Non-aggressive gases and liquids
Control valve mounting	NAMUR master gauge for holes
Pneumatic control	Directly mounted or separate 5/2-way valves <b>On request:</b> Pneumatically or manually actuated

### Control pressure

min. [bar]	max. [bar]
3.0	8.0

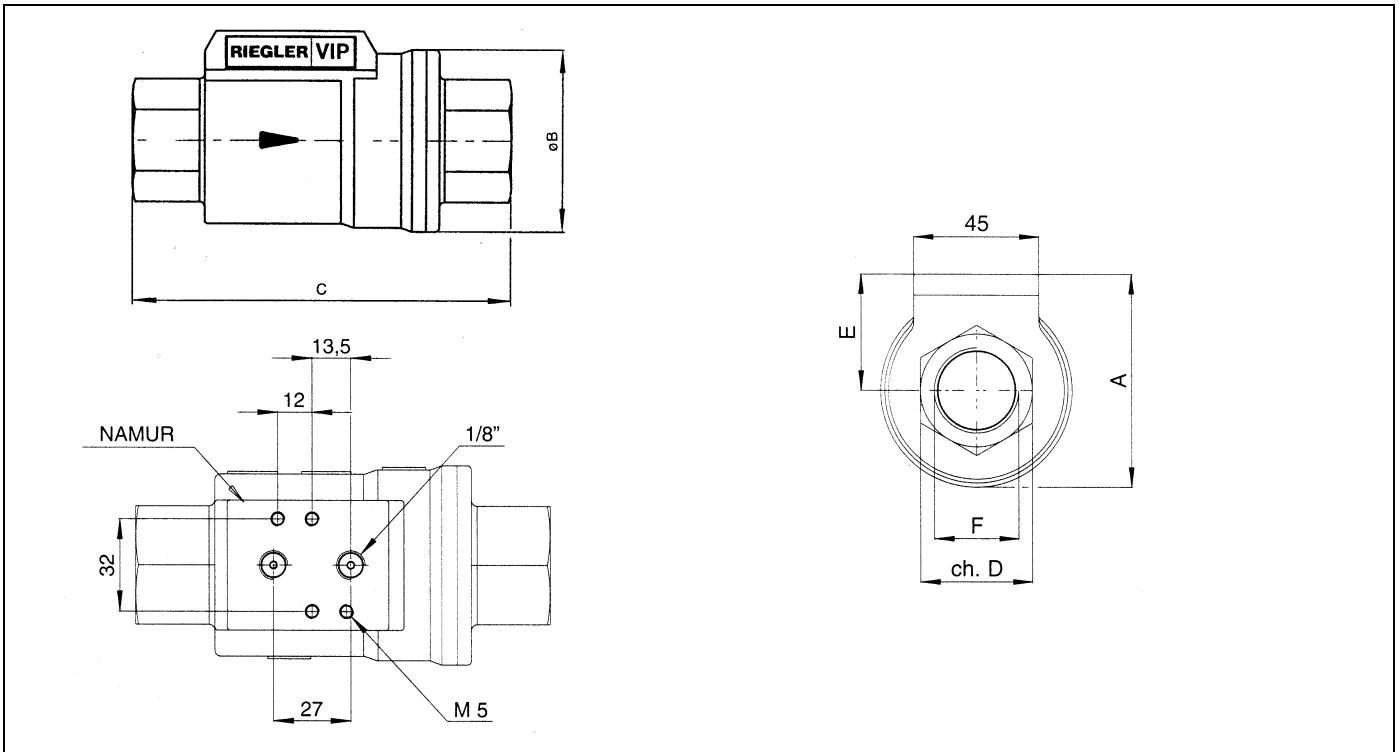
### Accessories

Designation	Order No.
5/2-way control valve ( <b>NAMUR</b> )	
-230/50	551.01
-24V =	551.02
5/2-way control valve <b>G 1/8</b>	
-230/50 (continuous current)	517.204
-24= (continuous current)	517.201
-230/50 (pulse)	517.214
-24= (pulse)	517.211
<b>On request</b>	
Magnetic limit switch	

### Main spare parts

Designation	Order No.
<b>NBR</b>	
Wearing parts kit for 351.911	22.351.911
Wearing parts kit for 351.912	22.351.912
Wearing parts kit for 351.913	22.351.913
Wearing parts kit for 351.914	22.351.914
<b>FKM</b>	
Wearing parts kit for 351.921	22.351.921
Wearing parts kit for 351.922	22.351.922
Wearing parts kit for 351.923	22.351.923
Wearing parts kit for 351.924	22.351.924

Dimensions [mm]

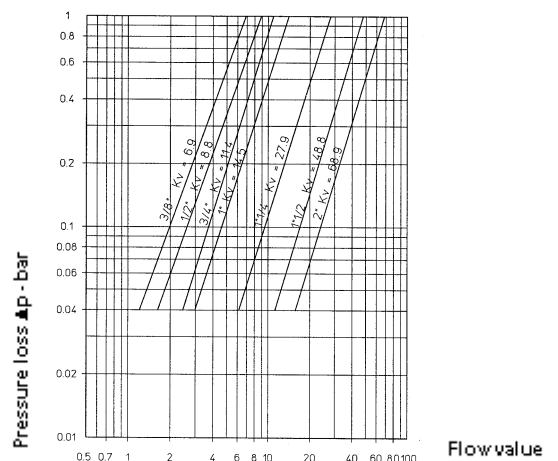


Type No.	351.911 351.921	351.912 351.922	351.913 351.923	351.914 351.924	351.915 351.925	351.916 351.926	351.917 351.927	
Nominal width	[mm] 10	[mm] 15	[mm] 20	[mm] 25	[mm] 32	[mm] 40	[mm] 50	
Threaded connection	Rp 3/8	Rp 1/2	Rp 3/4	Rp 1	Rp 1 1/4	Rp 1 1/2	Rp 2	
Passage ØP	[mm] 10	[mm] 15	[mm] 20	[mm] 25	[mm] 32	[mm] 40	[mm] 50	
A	[mm] 53.8	[mm] 60.0	[mm] 70.0	[mm] 76.0	[mm] 92.0	[mm] 102.0	[mm] 115.0	
ØB	[mm] 46.0	[mm] 51.7	[mm] 63.5	[mm] 69.0	[mm] 86.0	[mm] 96.0	[mm] 109.0	
C	[mm] 98.0	[mm] 112.0	[mm] 135.0	[mm] 143.0	[mm] 165.0	[mm] 180.0	[mm] 207.0	
ch.D	[mm] 22	[mm] 27	[mm] 33	[mm] 41	[mm] 50	[mm] 60	[mm] 75	
E	[mm] 30.8	[mm] 33.3	[mm] 38.25	[mm] 41.5	[mm] 49.0	[mm] 54.0	[mm] 60.0	
Weight	[g] 800	[g] 1000	[g] 1590	[g] 1800	[g] 3130	[g] 3500	[g] 5500	
Kv	m <sup>3</sup> /h 6.9	m <sup>3</sup> /h 8.8	m <sup>3</sup> /h 11.4	m <sup>3</sup> /h 14.5	m <sup>3</sup> /h 27.9	m <sup>3</sup> /h 48.8	m <sup>3</sup> /h 68.9	
Air consumption (l/cycle)	2.4	3.5	6.3	8.0	15	21.9	31	

Materials

Part	Material
Body	Nickel-plated brass
Socket	Nickel-plated brass
Sealing face	Brass
Stop ring	PTFE
Lip seal	NBR / FKM / EPDM
O-ring	NBR / FKM
Piston	Nickel-plated brass
Piston seal	NBR / FKM
Label	Aluminium alloy
Circlip	Stainless steel alloy
Socket seal	NBR / FKM

Flow-pressure loss graph



© Riegler 12-3